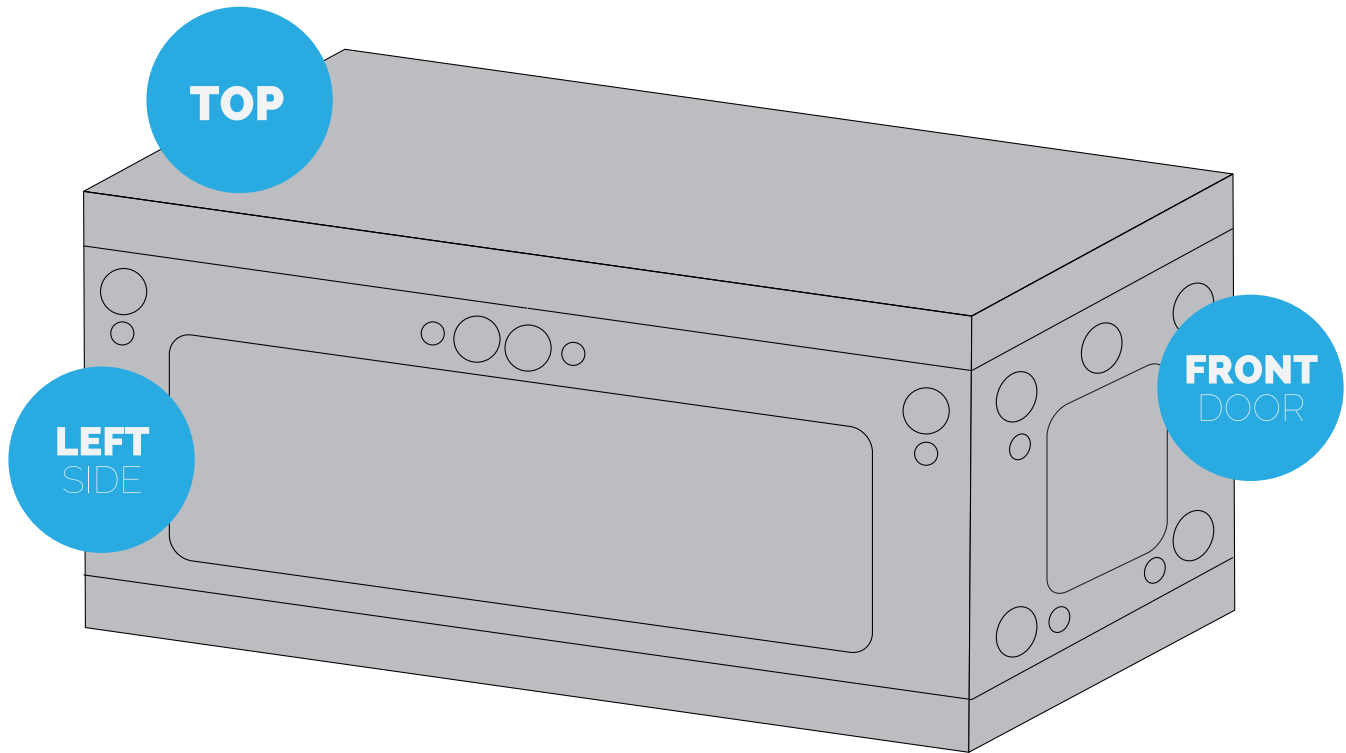




**OCR**  
OPTIMUM CLIMATE ROOM



## ASSEMBLY INSTRUCTIONS

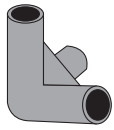
**OCR 600**  
**XXL SERIES**

[WWW.OCR-CLIMATEROOMS.COM](http://WWW.OCR-CLIMATEROOMS.COM)

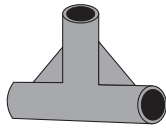
STEP **1**



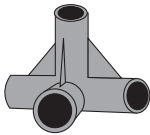
**X10**



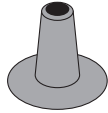
**X8**



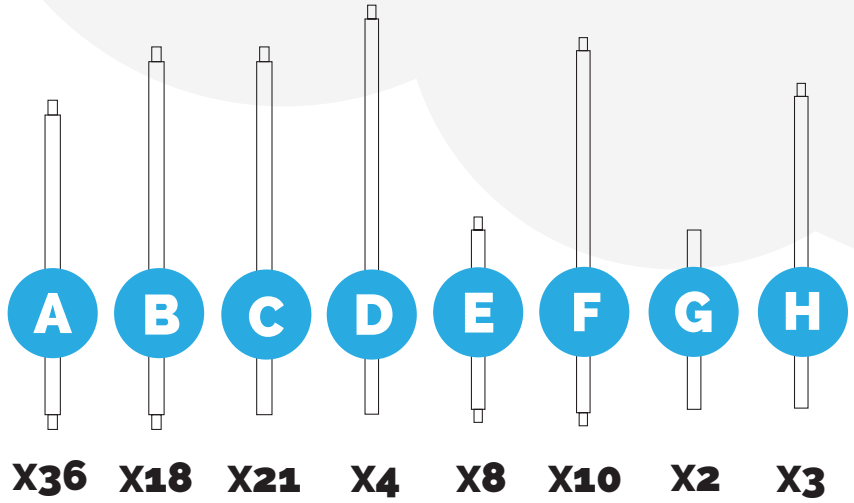
**X17**



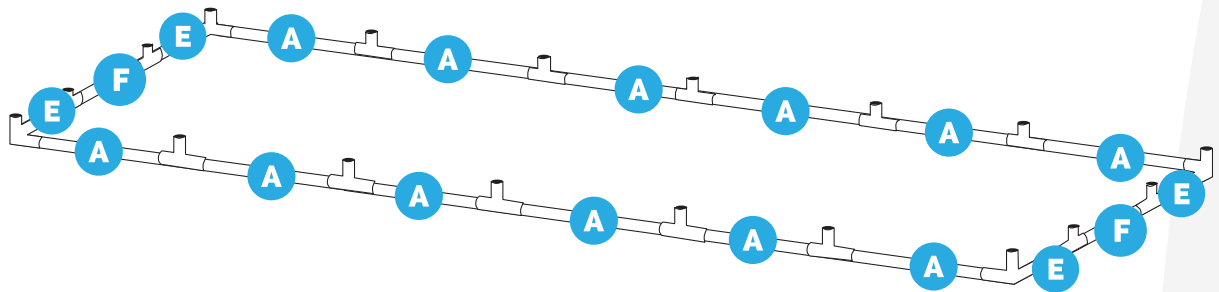
**X14**



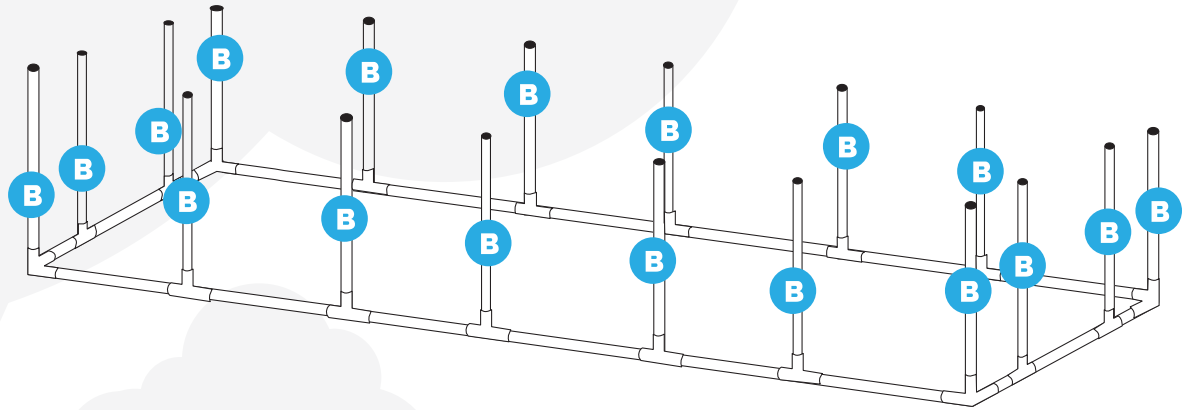
**X3**



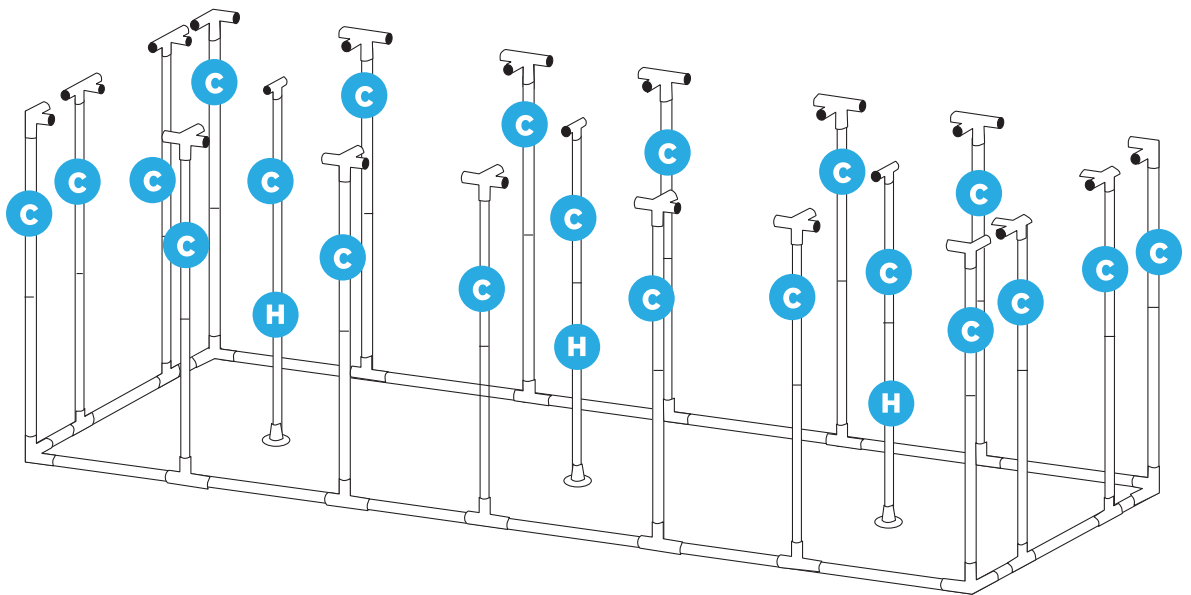
STEP **2**



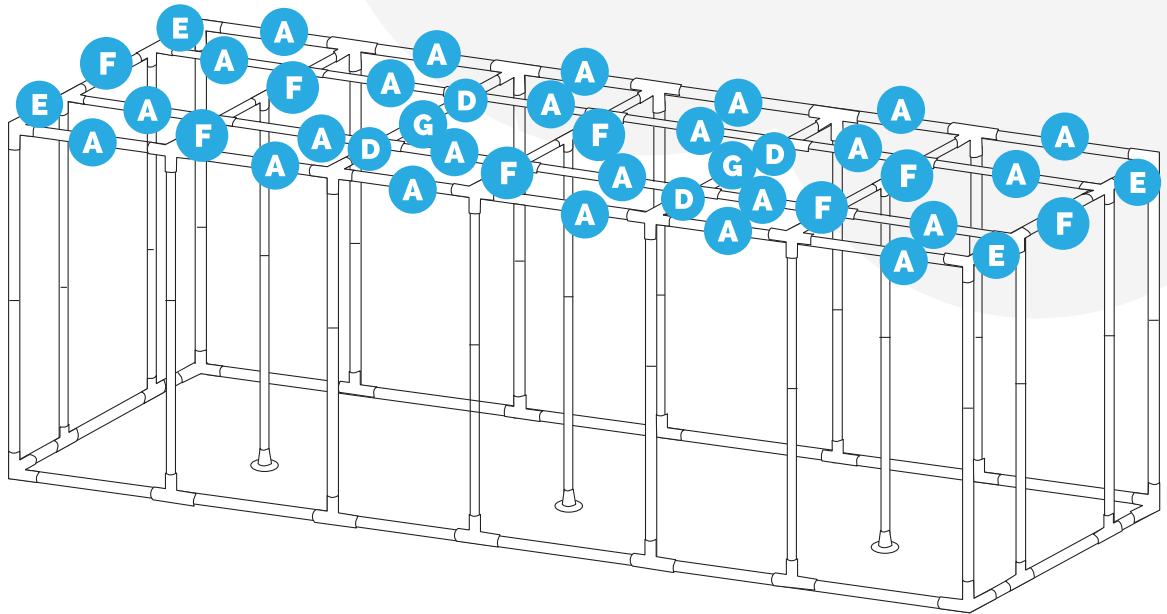
STEP 3



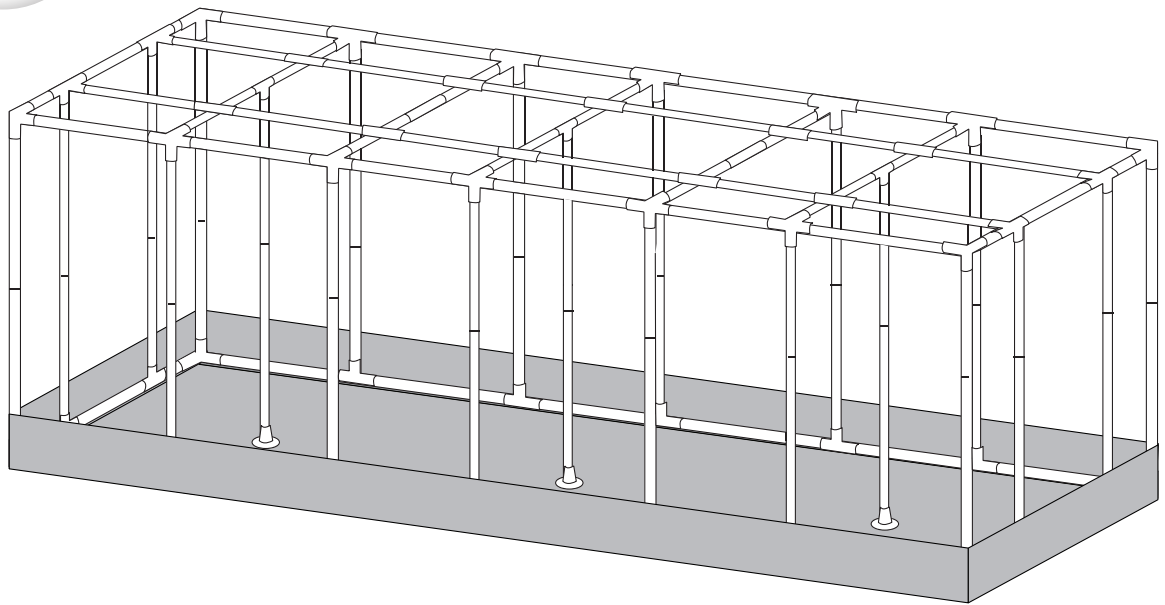
STEP 4



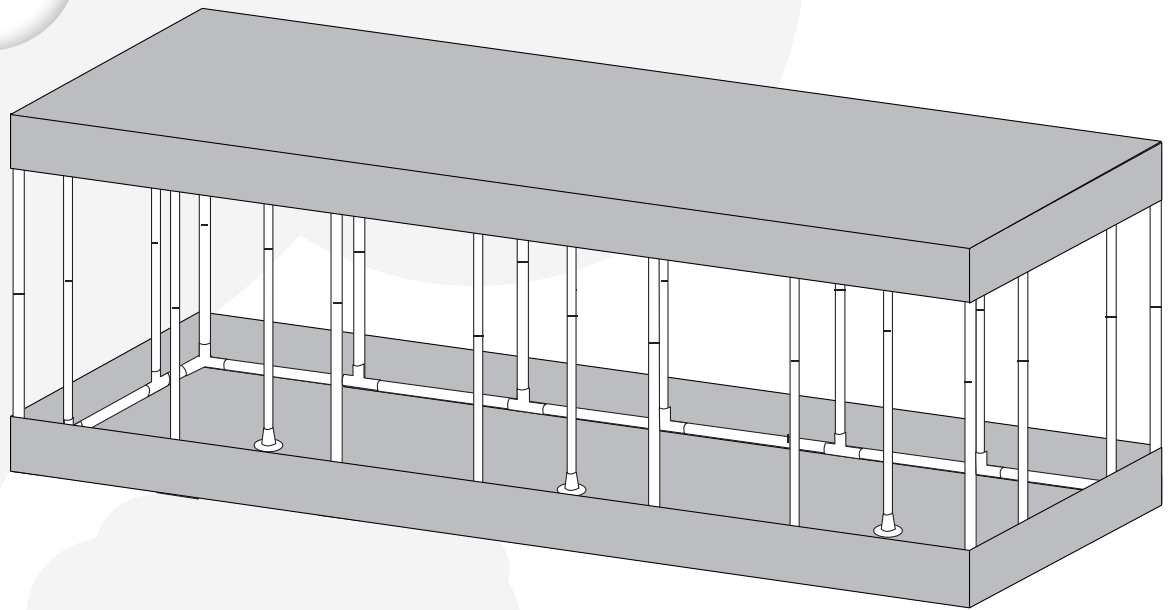
STEP 5



STEP 6



STEP  
**7**



STEP  
**8**

